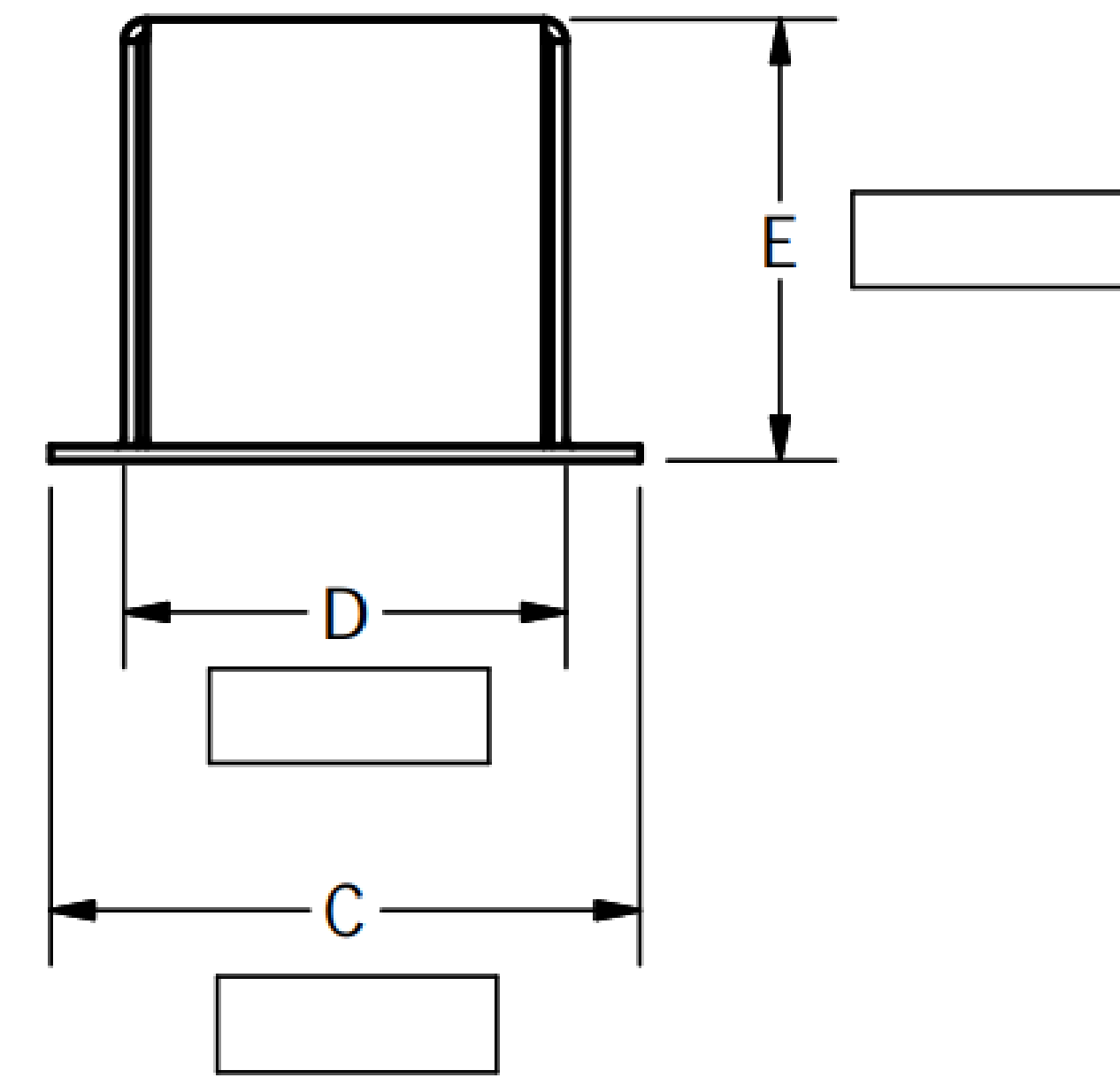
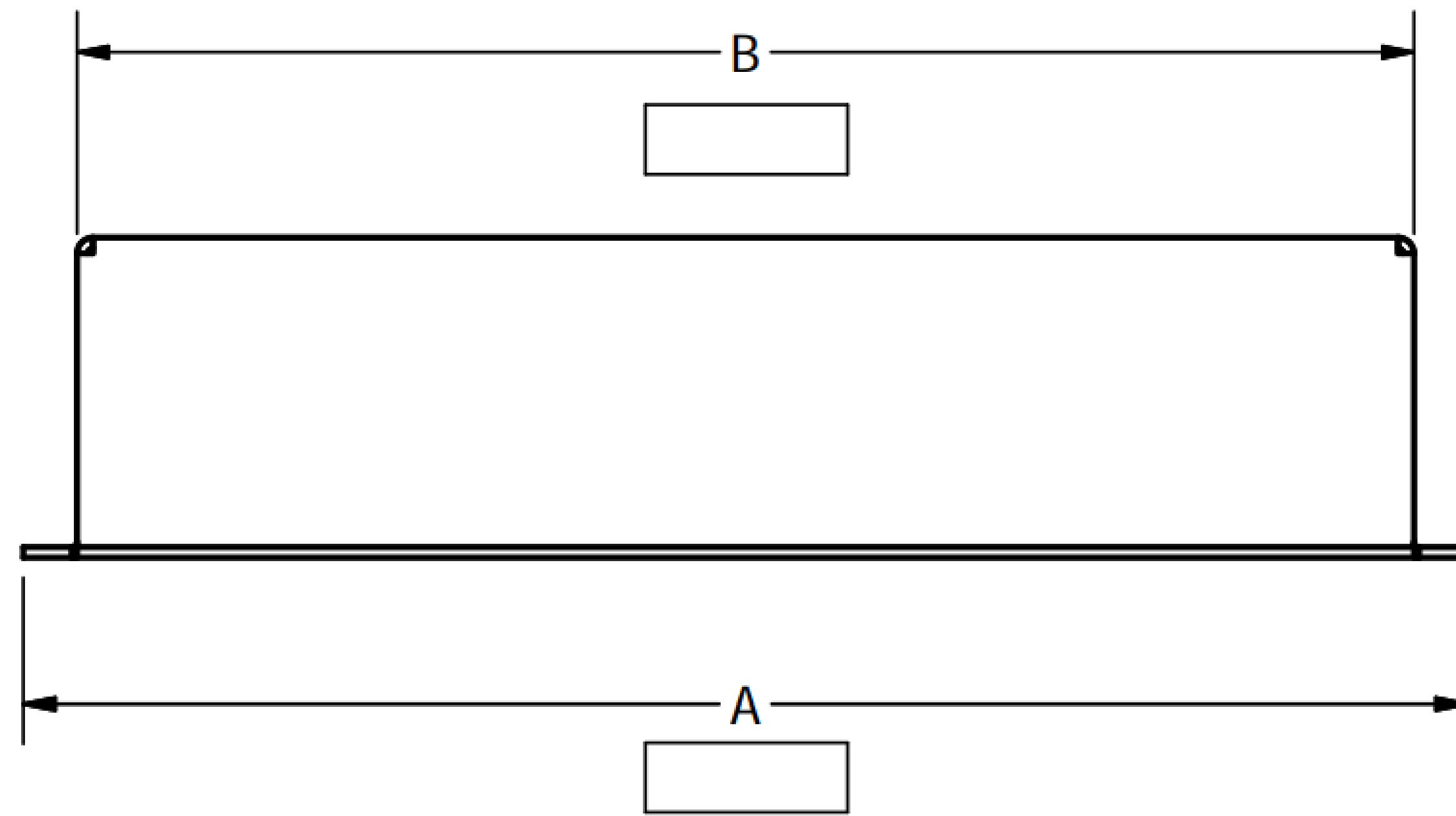
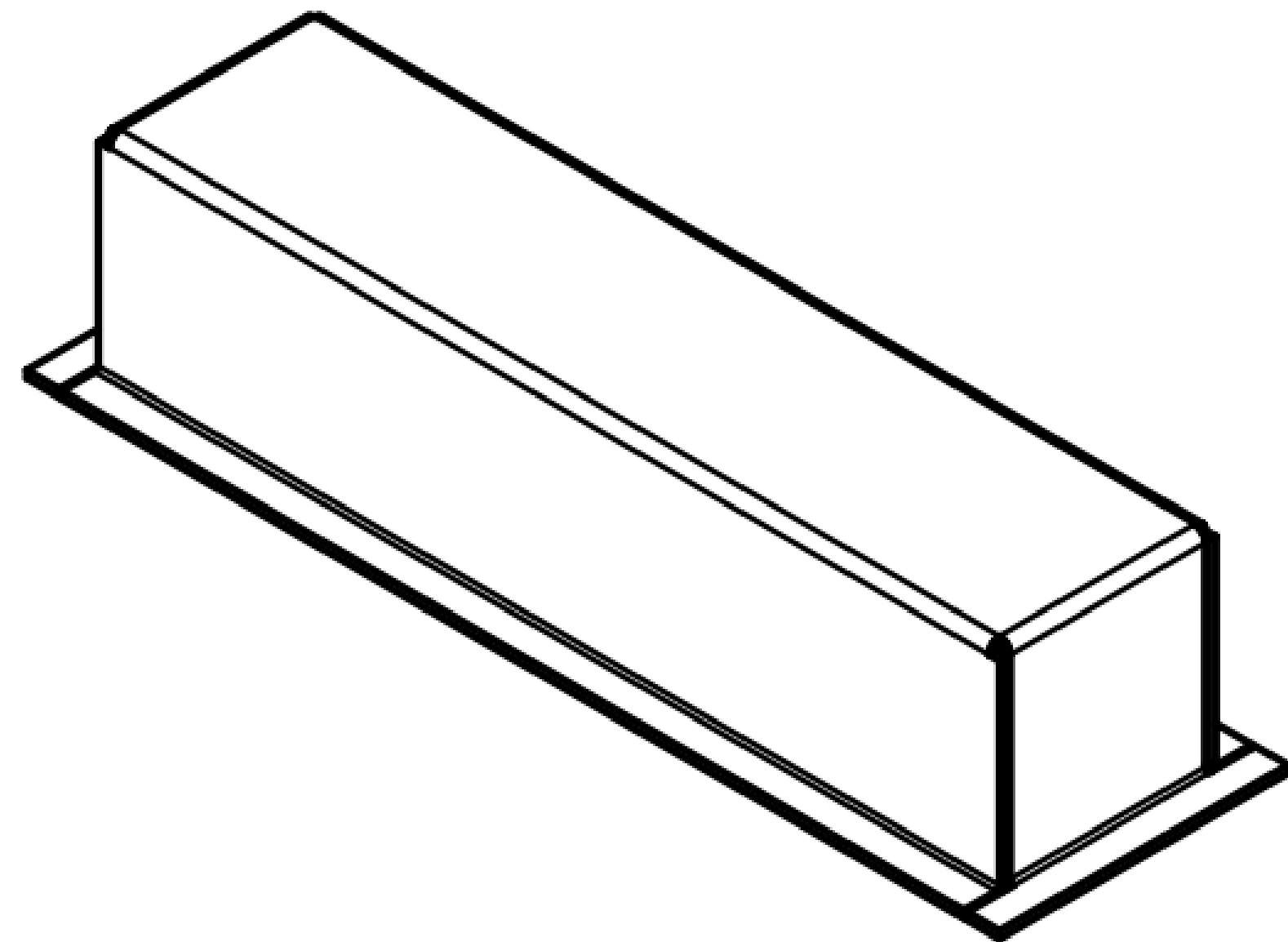


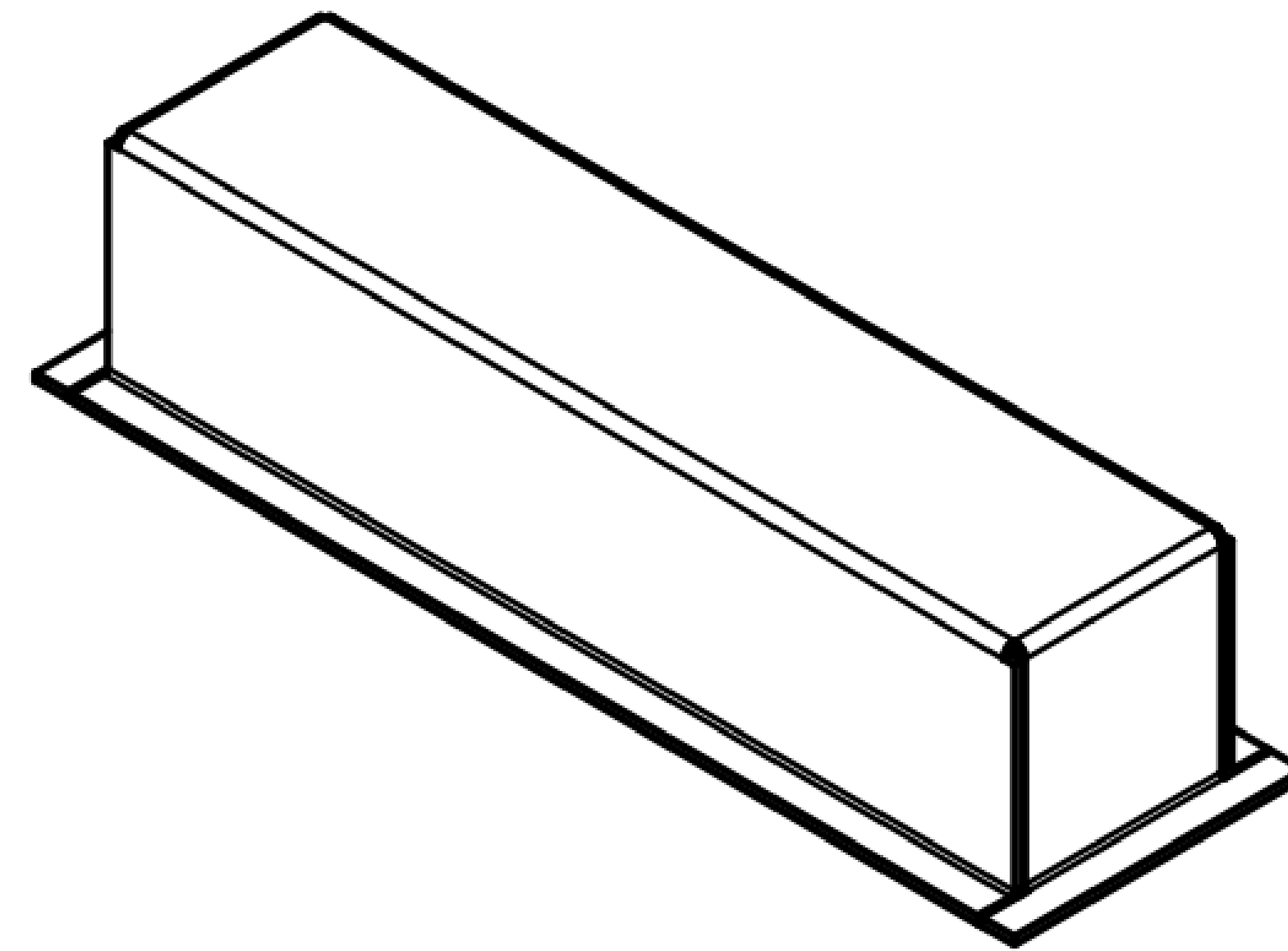
CUSTOMER:  
TANK:  
W/O:  
DATE:



CONNECTIONS



FRONT



BACK