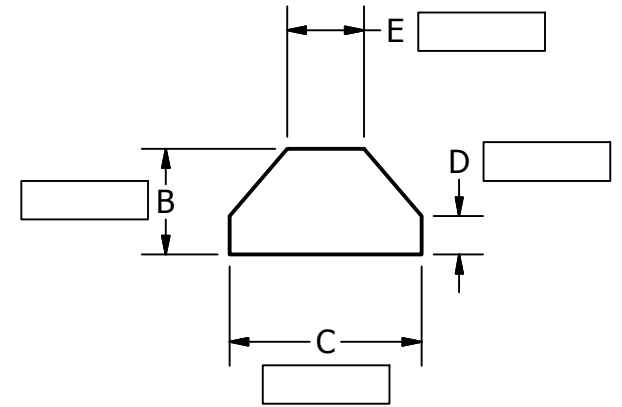
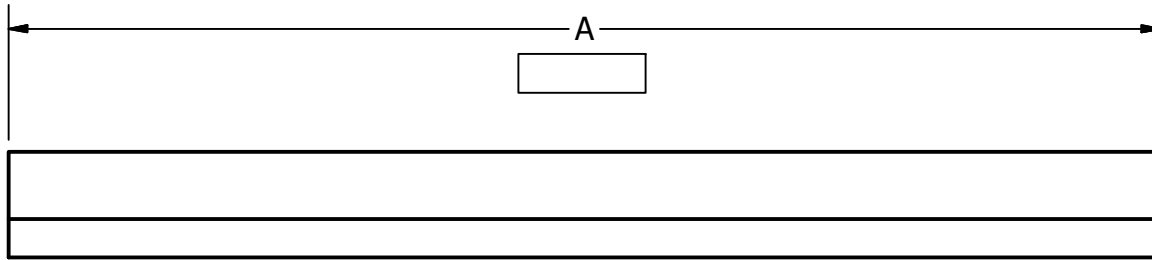


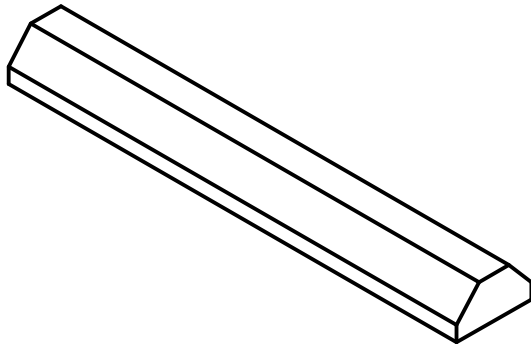
CUSTOMER:

W/O:

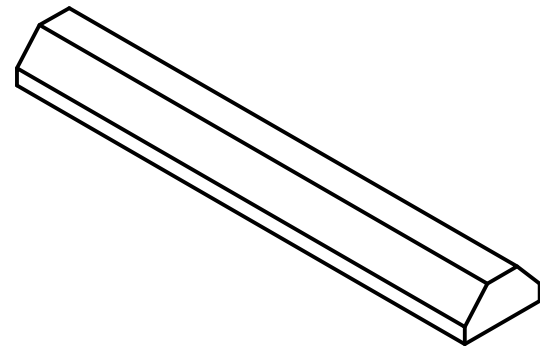
DATE:



CONNECTIONS



FRONT



BACK